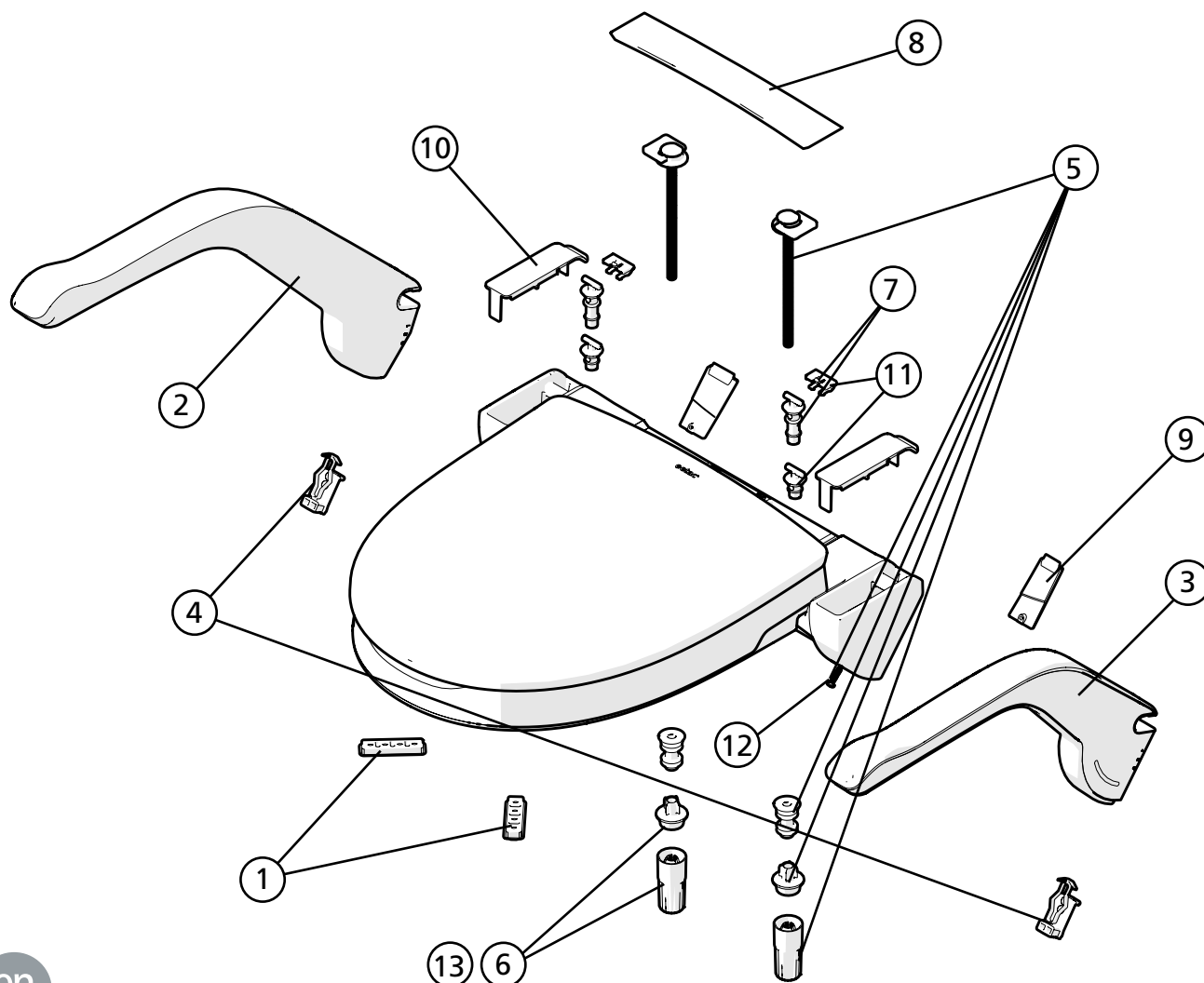


Etac My-Loo with brackets

Fast/Fixed/Fest

1A15365.1

20-09-03



en

Pos	Description	Item. no.
1	Friction detail seat My-Loo, 2 pcs	8400 6163
2	Arm support R cpl My-Loo, incl. height adjuster	8400 6164
3	Arm support L cpl My-Loo, incl. height adjuster	8400 6165
4	Height adj arm support My-Loo, 2 pcs	8400 6166
5	Screw kit fastening My-Loo, compl	8400 6167
6	Quick nut kit 2+2 My-Loo, 2 pcs quick nut, 2 pcs sleeve	8400 6168
7	Hinge kit seat My-Loo 6, 10 cm, 2 pcs clips, 2 pcs axle	8400 6169
8	Cover holder My-Loo fixed	8400 6170
9	Cover holster lower, My-Loo, L R for arm support holster	8400 6171
10	Cover holster upper, My-Loo, 2 pcs, for use without arm support	8400 6172
11	Hinge kit seat My-Loo, 2 cm. 2 pcs of clips 2 pcs of axle	8400 6174
12	Screw Fixation arm rest My-Loo, 2 pcs	8400 6175
13	Quick nut kit 10+10 My-Loo, 10 pcs quick nut, 10 pcs sleeve	8400 6178