

kudu™ Accessories

Exploded views / Part lists













Rev. date (03.2019)

On the following pages you will find the parts used to assemble this product. Please note that some spare parts cannot be purchased individually but are part of a complete kit. Please also note that for some spare parts extra delivery time may occur.



PAGE 31

Accessories

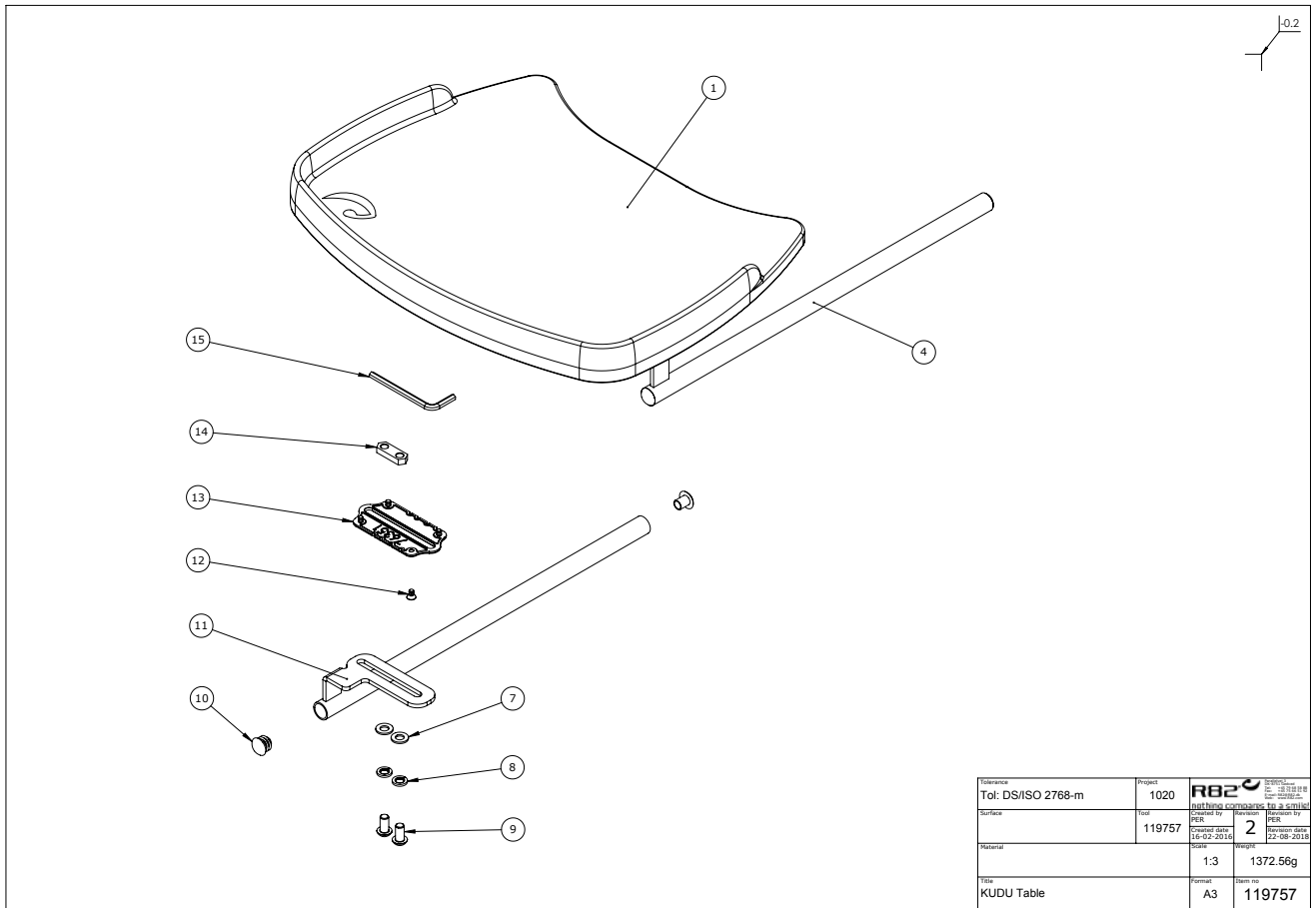
			
Head support with cover 950xx-xx For correct position and support	Back extension cushion 95743-xx Supports the upper back	Fixed side supports 95401-xx	Swing-away side supports 8310xx-xx
See the Accessories section at the back of the catalog, for further information on options and measurements	Size Measurements 1 +5 cm or +10 cm 2 +5 cm or +10 cm 3 +5 cm or +10 cm 4 +5 cm or +10 cm	Type Measurements 9 W:9 X:H: 10 cm 5 W:16 X:H: 15 cm 6 W:12 X:H: 14 cm	See the Accessories section at the back of the catalog, for further information on options and measurements
			
Arm rests, incl. side plates 95712x Height adjustable and provide arm support	Tray 9576350	Swing-away knee supports, set 95860-xx Provide control and positioning	Rucksack 94480-x Extra space for storage
One size	See the Accessories section at the back of the catalog, for further information on options and measurements	Type Size 1+2 Small 3+4 Medium	Type Size 1+2 Small 3+4 Medium
			
Calf support 85131-xx For parted foot rests For extra support and comfort	Calf support 85131 Centrally mounted foot plate For extra support and comfort	Heel band for parted foot rests 85132-xx	Mud guards 9520xx Available for 20", 22" and 24"
One size	Size Measurements 1 H:15 x W: 30 cm	One size	One size

nothing compares to a smile

R82®

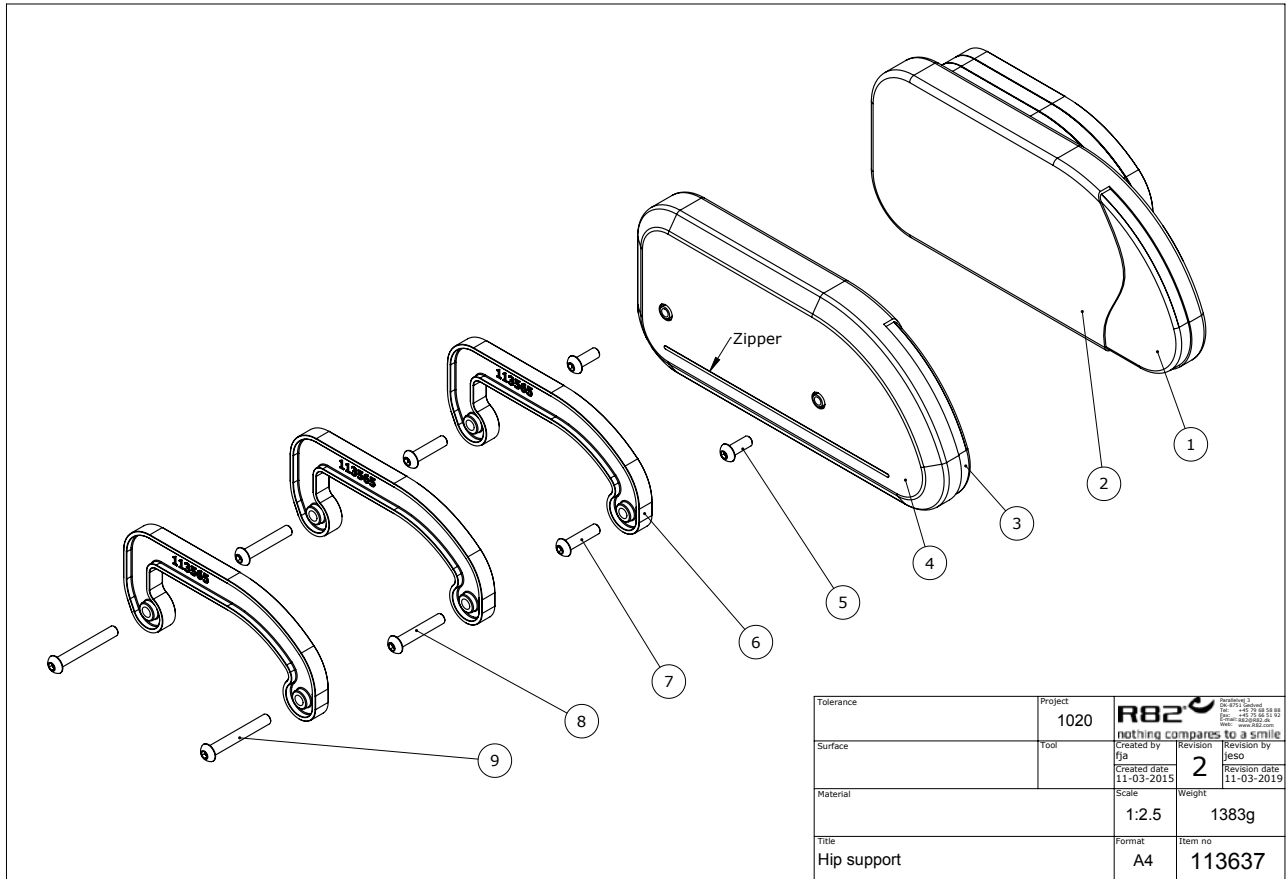
Contents

Tray (119757)	3
Hip supports (113637)	4
Arm rests (114055).....	5
Fixed side supports (111365)	6
Swing-away knee supports (111557)	7
Mudguards (111362).....	8
Vent tray (111359).....	9
Transport fittings (100492).....	10



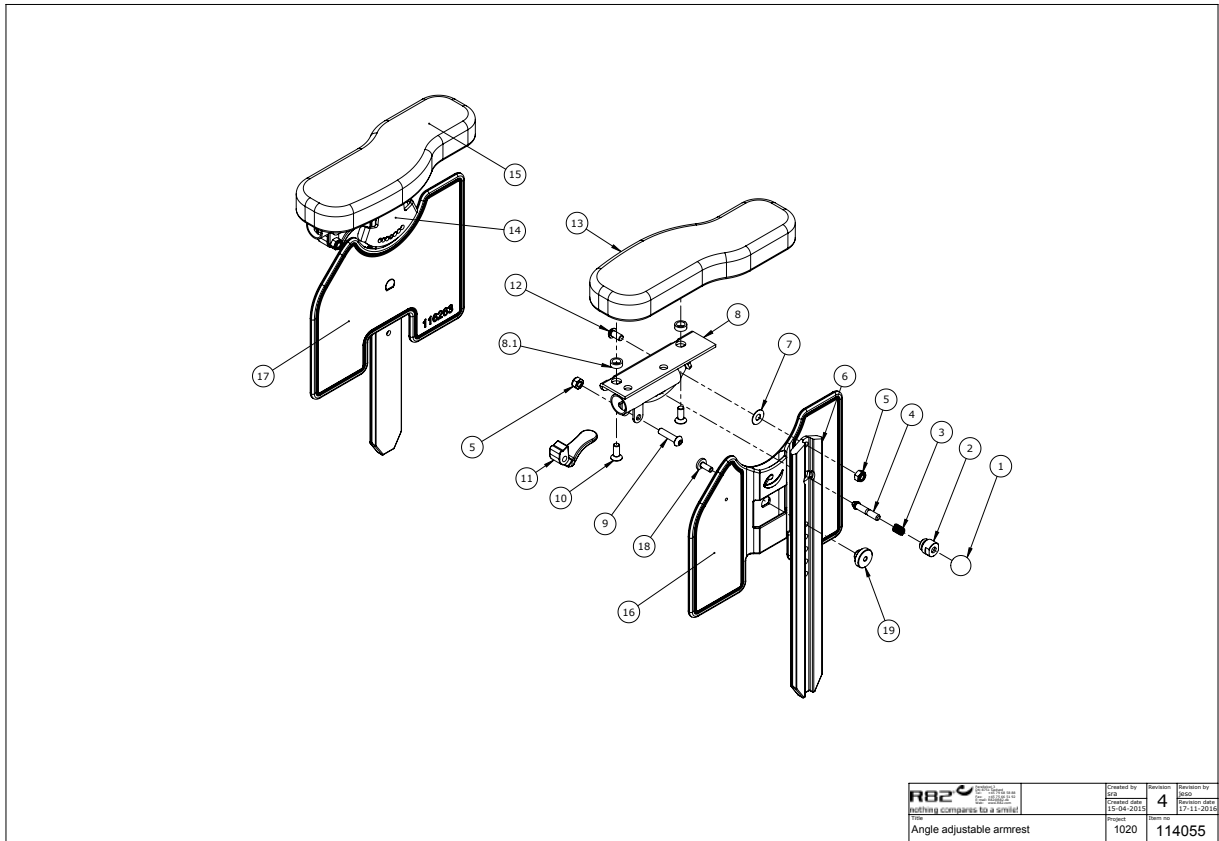
Reference	Tol: DS/ISO 2768-m	Project	1020	R82
Source	119757	Material	PER	2
Material		Scale	1:3	Weight
				1372.56g
Title	KUDU Table	Format	A3	Draw no
				119757


Position	Art nr.	Description	Quantity	Unit of measure	Ean code
9576351					
1	76350	Table for Stingray, Grey	1	PCS	5707292541727
4	111547	Bracket for table, Right	1	PCS	5707292586940
7	1105080	Stainless washer 8mm	4	PCS	5707292140364
8	1100500	Spring washer 8mm, stainless	4	PCS	5707292140142
9	0661500	Button head screw 8*16 stainl.	4	PCS	5707292139559
10	2502002	Ferrule d18*0,8-2,5 black	4	PCS	5707292433947
11	111550	Bracket for table, Left	1	PCS	5707292586964
12	1940011	Plastite 60, 4*8	8	PCS	5707292545978
13	76351	Mounting plate	2	PCS	5707292541741
14	77557	Slide bar (M8x2)	2	PCS	5707292544995
15	0589500	Insex keys n5	1	PCS	5707292137869
12	1940011	Plastite 60, 4*8	8,00	Pieces	5707292545978
13	76351	Mounting plate	2,00	Pieces	5707292541741
14	77557	Slide bar (M8x2)	2,00	Pieces	5707292544995
15	0589500	Insex keys n5	1,00	Pieces	5707292137869



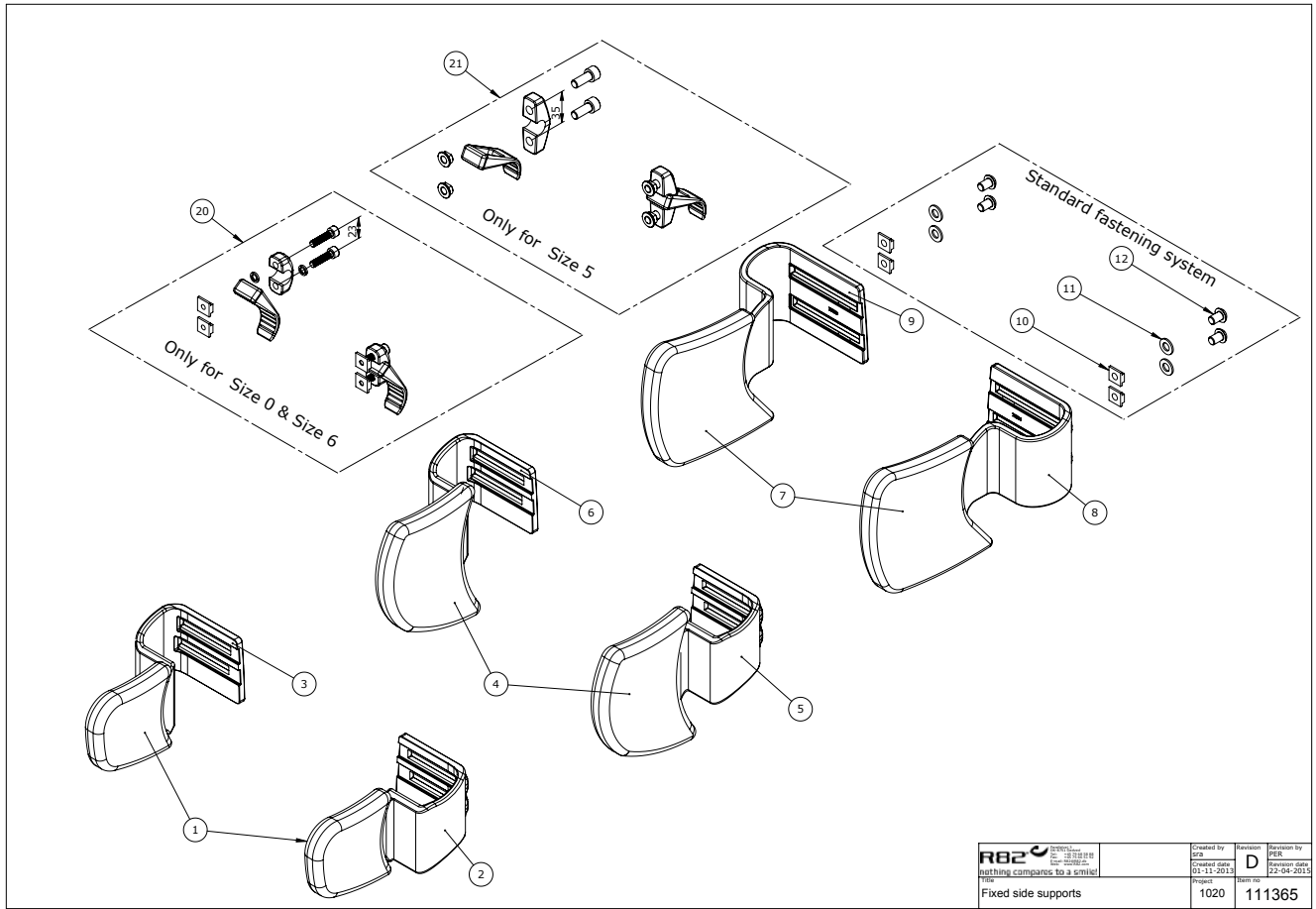
C:\EPDM\Projects\1020\Hip support\113637

Position	Art nr.	Description	Quantity	Unit of measure	Ean code
9576351					
1	113617	Hipsupport w. Padding size 1	1	PCS	5707292600851
1	113627	Hipsupport w. Padding size 2	1	PCS	5707292600943
2	95713-10160L	Cover for hip support, left	1	PCS	5707292600967
2	95713-20160L	Cover for hip support, left	1	PCS	5707292600974
3	113618	Hipsupport w. Padding size 1	1	PCS	5707292600936
3	113628	Hipsupport w. Padding size 2	1	PCS	5707292600998
4	95713-10160R	Cover for hip support, right	1	PCS	5707292600714
4	95713-20160R	Cover for hip support, right	1	PCS	5707292600721
5	0659500	Button head M6*16	4	PCS	5707292139450
6	113565	Distance piece	6	PCS	5707292600776
7	0659570	Button head M6*25	4	PCS	5707292139474
8	0659585	Button head M6*35	4	PCS	5707292139498
9	0659600	Button head M6*45	4	PCS	5707292139504



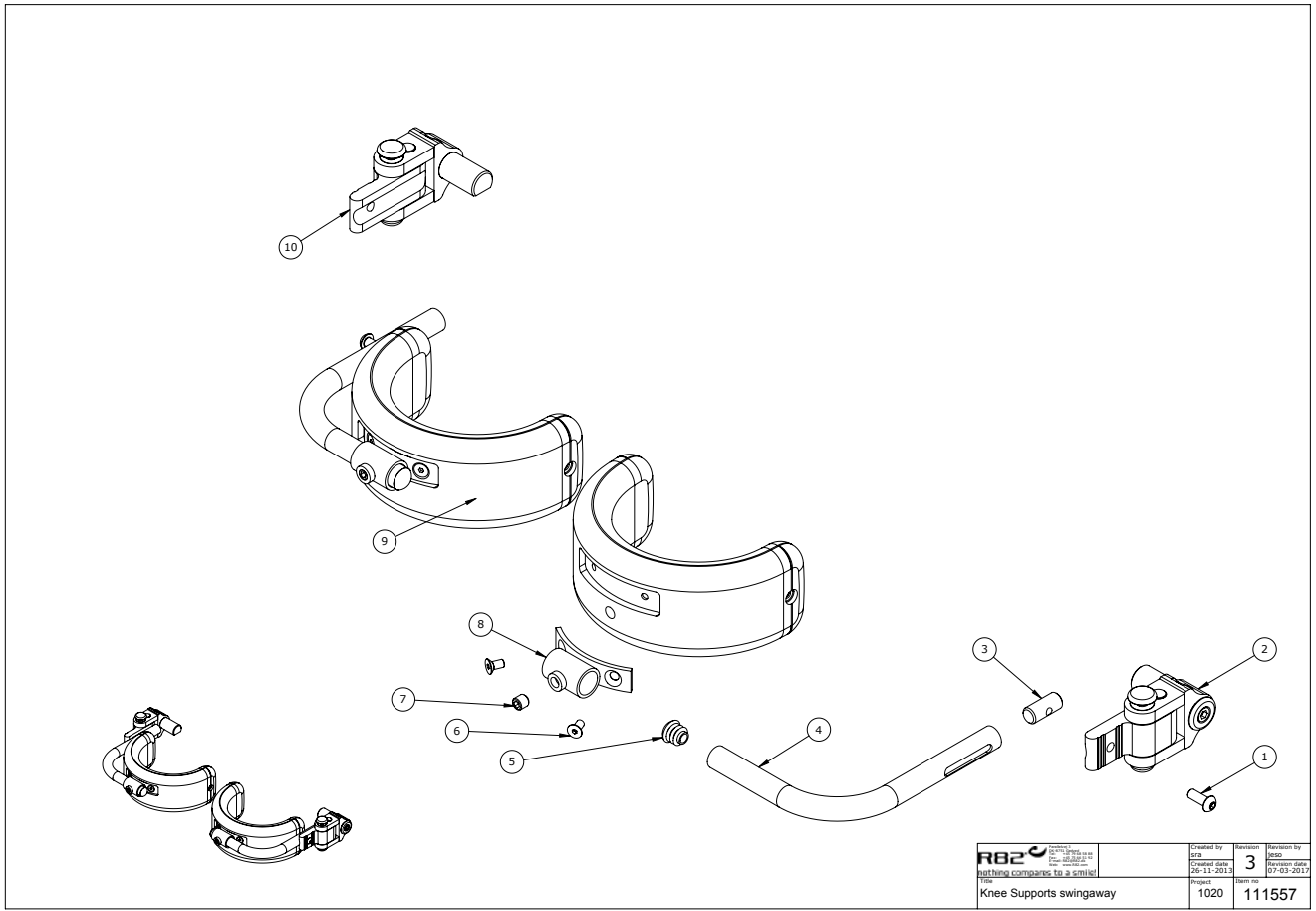
 <small> R82 A/S Parallelvej 3 8751 Gedved Denmark </small>	Created by	Revised by
	15-04-2015	17-11-2016
File	1020	114055

Position	Art nr.	Description	Quantity	Unit of measure	Ean code
95712-20+95712-40					
1	3502008	Knob handle Ø20 M6	2	PCS	5707292146830
2	6118900	Springhouse, panda+impala	2	PCS	5707292186768
3	0310125	Pressure spring 0,9*8u/Ø12+0,5	2	PCS	5707292135575
4	6118810	Pin f/springhouse panda+impala	2	PCS	5707292186706
5	1606500	Lock nut 6 mm	4	PCS	5707292141361
6	114060	Armrest profile piece	2	PCS	5707292612182
7	1310709	Skive Ø15,9*6,5*0,5mm	2	PCS	5707292490520
8	114072	Angle adjustable armrest	1	PCS	5707292617606
8.1	1310539	Distance piece 12/8,4*5mm	4	PCS	5707292423474
9	0659570	Button head screw 6*25 stainl.	2	PCS	5707292139474
10	0621600	Insex screw counters. 6*16	4	PCS	5707292138965
11	113713	Armrest handle	2	PCS	5707292607867
12	0641200	Button head screw 6*12	2	PCS	5707292139252
13	6175152	Armrest cushion, size 1, left	1	PCS	5707292189233
13	6175160	Armrest pad,s.4,left,black	1	PCS	5707292189271
14	114071	Angle adjustable armrest	1	PCS	5707292617590
15	6175150	Armrest cushion, size 1, right	1	PCS	5707292189226
15	6175158	Armrest pad s.4,right,black	1	PCS	5707292189264
16	116262	Adj. armrestsupport left Sz. 1-2	1	PCS	5707292618139
16	116259	Adj. Armsupport left Sz. 3-4	1	PCS	5707292618146
17	116263	Adj. armrest support right Sz. 1-2	1	PCS	5707292618115
17	116260	Adj. armrest support right Sz. 3-4	1	PCS	5707292618122
18	111101	Armrest bolt	2	PCS	5707292586056
19	111103	Armrest nut, Kudu	2	PCS	5707292586070



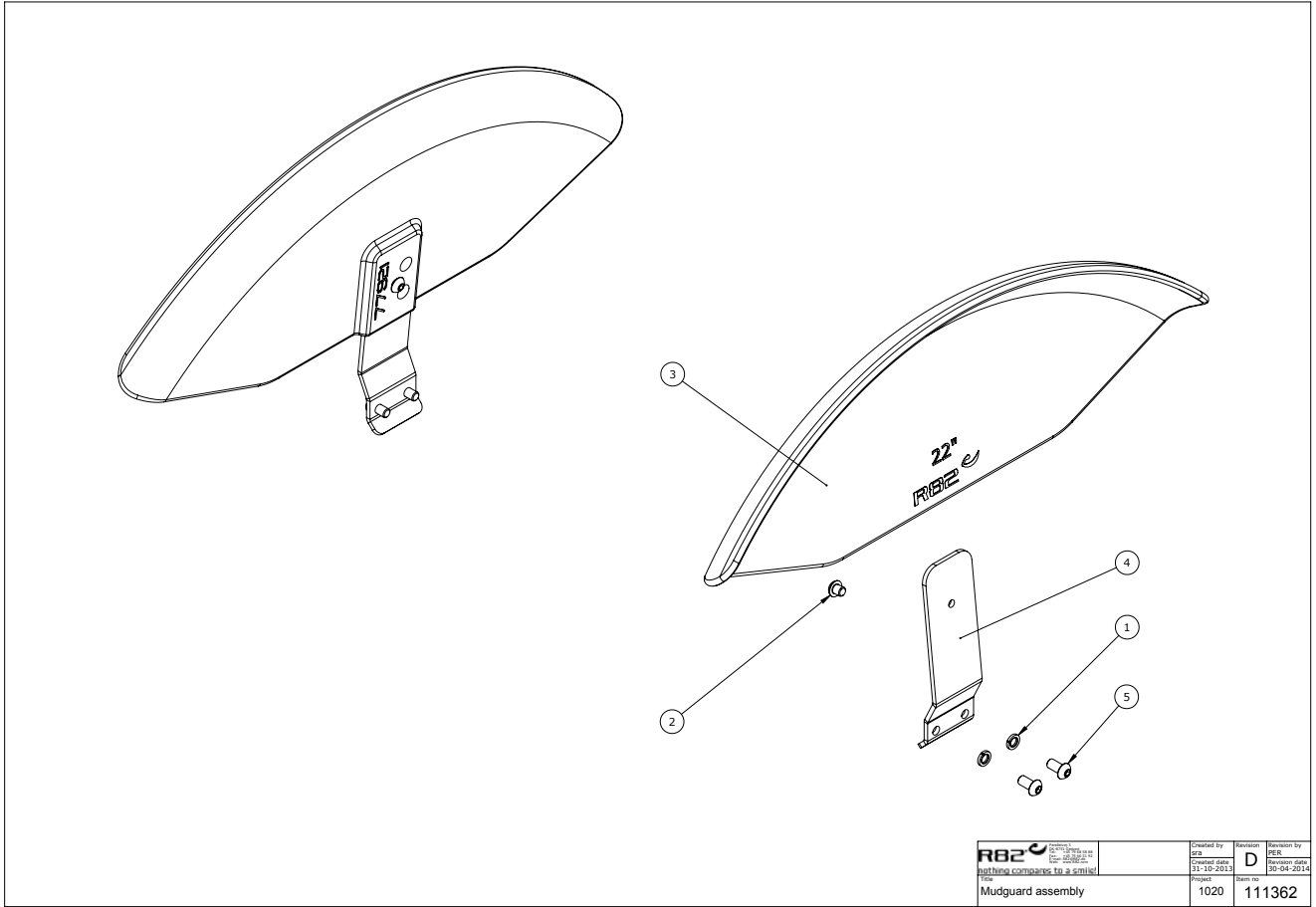
 Nothing compares to a smile! Title: Fixed side supports	Created by: [blank] Created date: 01-11-2013	Revision: D Revision date: 22-04-2014	Approved by: [blank] Approved date: [blank]
	Project: 1020	Item no: 111365	

Position	Art nr.	Description	Quantity	Unit of measure	Ean code
95401-10 95401-20 95401-30					
1	5027197	Cover for back sides, size 0, Right+Left	2,00	Pieces	5707292587794
2	5700563	Back sides, size 0, Left	1,00	Pieces	5707292587770
3	5700564	Back sides, size 0, Right	1,00	Pieces	5707292587787
4	5027199	Cover for back sides, size 6, Right+Left	2,00	Pieces	5707292544193
5	5700566	Back sides, size 6, Right	1,00	Pieces	5707292538413
6	5700565	Back sides, size 6, Left	1,00	Pieces	5707292538406
7	5027204	Cover for back sides, size 5, Right+Left	2,00	Pieces	5707292514028
8	5700528	Back sides, size 5, Left	1,00	Pieces	5707292514004
9	5700529	Back sides, size 5, Right	1,00	Pieces	5707292514011
10	75203-1	M8 slide with threads	4,00	Pieces	5707292517593
11	1105080	Stainless washer 8mm	4,00	Pieces	5707292140364
12	0661300	Button head m/flange 8*12	4,00	Pieces	5707292408068



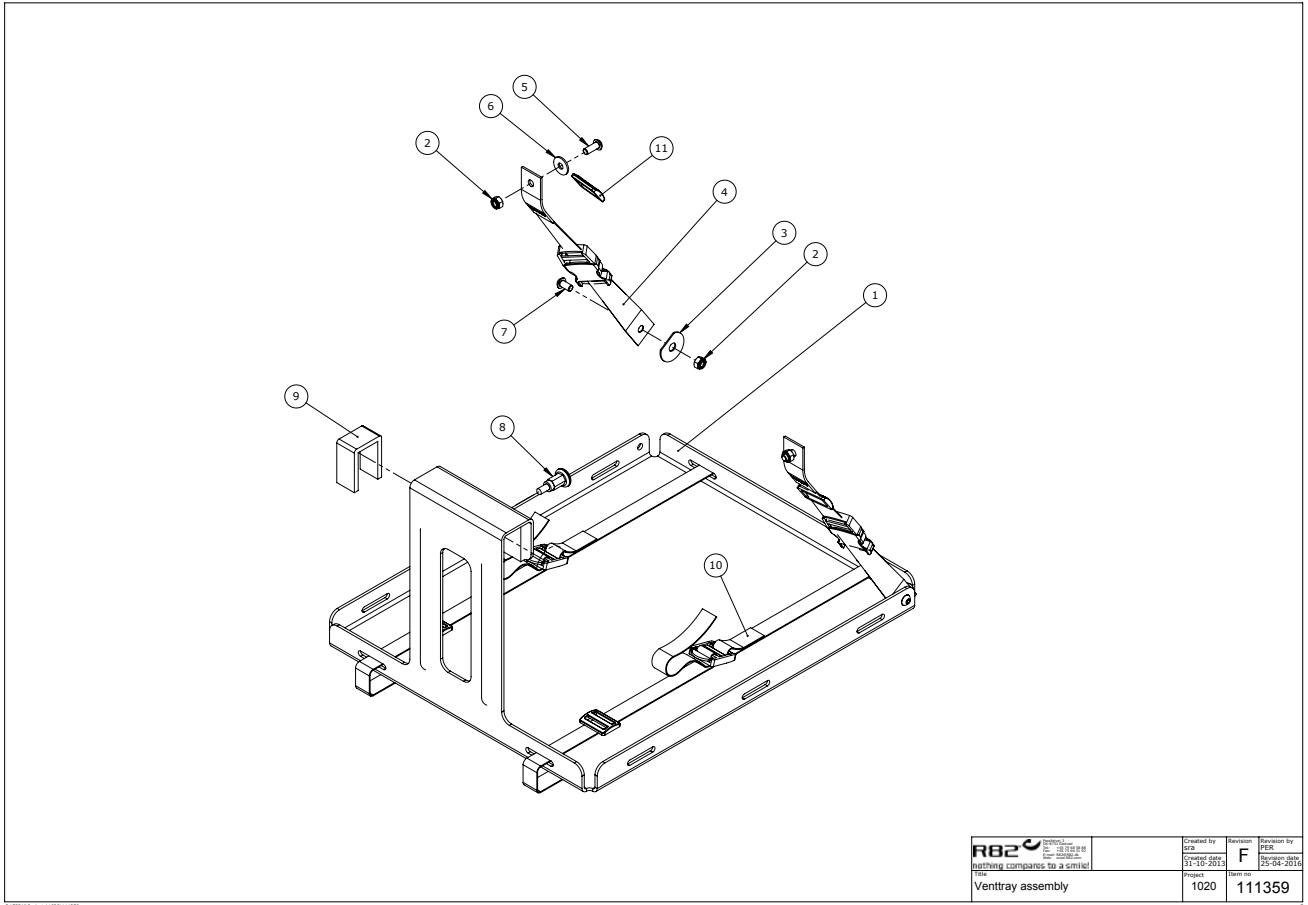
 R82 A/S Helping companies to a smile!	Created by Lise	Revision 3	Revision by Lise
	Created date 26-11-2012	Item no.	Revision date 07-03-2011
Project Knee Supports swingaway		1020	111557

Position	Art nr.	Description	Quantity	Unit of measure	Ean kode
95860-10 95860-20					
1	0659500	Button head screw	2,00	Pieces	5707292139450
2	111558	Svingbar knæstøtte venstre	1,00	Pieces	5707292588845
3	82935	Thread pal	2,00	Pieces	5707292125903
4	82374	Curved knee brace Wombat	2,00	Pieces	5707292123756
5	2501600	Ferrule d15*1,0 black	2,00	Pieces	5707292143969
6	0609719	Stainless insex 5*10 uh	2,00	Pieces	5707292446046
7	0808008	Stainless stop screw 8*8	2,00	Pieces	5707292140036
8	82372	Holder for knee pelot	2,00	Pieces	5707292123732
9	6175161	Kneesupport size 1 Panda	2,00	Pieces	5707292189288
9	6175162	Kneesupport size 2 Panda	2,00	Pieces	5707292189295
10	111559	Svingbar knæstøtte Højre	1,00	Pieces	5707292588869



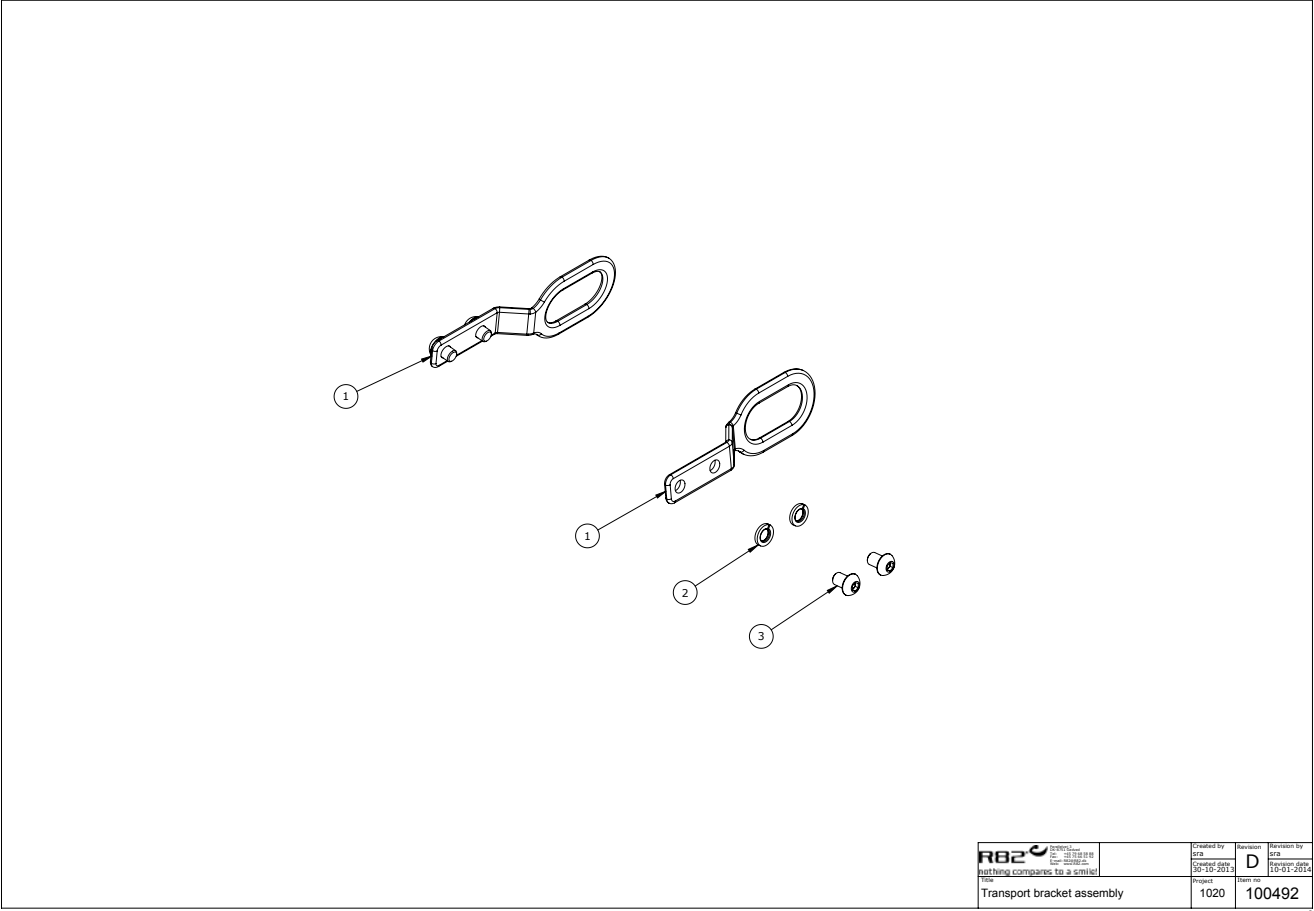
 <small> R82 A/S Parallelvej 3 8751 Gedved Denmark </small>	<small> Created by JCB </small>	<small> Revision D </small>	<small> Revision by PER </small>
	<small> Date 31-10-2013 </small>	<small> Item no. 1020 </small>	<small> Date 30-04-2014 </small>
<small> File Mudguard assembly </small>			<small> Item no. 111362 </small>

Position	Art nr.	Description	Quantity	Unit of measure	Ean kode
952020 952022 952024 952022-7 952024-7					
1	1100900	Spring washer M6 fzb, 6.1/9.9	2,00	Pieces	5707292459336
2	0631961	Buttonhead M6*6,zn/fe&sort	2,00	Pieces	5707292577764
3	77895	20" Fender	2,00	Pieces	5707292571687
3	77921	Fender 22"	2,00	Pieces	5707292571694
3	77986	Fender 24"	2,00	Pieces	5707292571700
4	108137	Fender mount 20"	2,00	Pieces	5707292585936
4	111265	Fender mount 22"	2,00	Pieces	5707292585943
4	111266	Fender mount 24"	2,00	Pieces	5707292585950
5	0663120	Button Head M6*16 Stainless	4,00	Pieces	5707292581532



 <small>REPLACES 18 888 88 18 888 88 18 888 88</small> <small>Nothing compares to a smile!</small>	Created by gra	Revised by PER	Revised by PER
	Created date 31-10-2013	Project 1020	Revision date 25-04-2014
Title Venttray assembly		Item no 111359	

Position	Art nr.	Description	Quantity	Unit of measure	Ean kode
95281-10					
1	109123	Vent tray	1,00	Pieces	5707292584038
2	1631060	Stainless lock nut 6mm	4,00	Pieces	5707292141446
3	1125000	Screenwasher FZB black 5/16*30	2,00	Pieces	5707292140470
4	5540541	Strap for vent tray	2,00	Pieces	5707292552686
5	0659500	Button head screw	2,00	Pieces	5707292139450
6	1130600	Stainless washer 6mm	2,00	Pieces	5707292140517
7	0659200	Button head screw 6*12 stainl.	2,00	Pieces	5707292139436
8	0380187	Spec. House for lock, Kudu	1,00	Pieces	5707292590831
9	I-109065	Shim Pad f. ventray	0,20	Meter	5707292577542
10	5540545	Strap for oxygen bottle	2,00	Pieces	5707292480798



R82 SYSTEMS R82 SYSTEMS A/S RATTING COMPANY TO A/S (UK)	Created by	Revision	Revision by
	SKM	D	SKM
Project	1020	Start no	100492
Transport bracket assembly			

Position	Art nr.	Description	Quantity	Unit of measure	Ean kode
95900-10					
1	109198	Clamping bracket, rear part	2,00	Pieces	5707292584427
2	1100500	Spring washer 8mm, stainless	4,00	Pieces	5707292140142
3	0661200	Button head screw 8*12 stainl.	4,00	Pieces	5707292139542