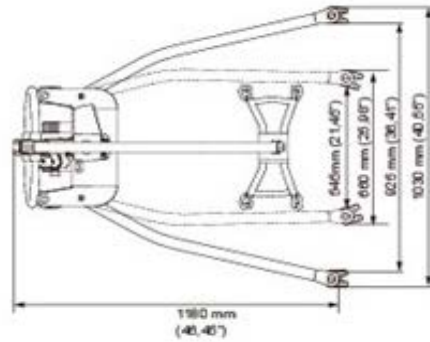
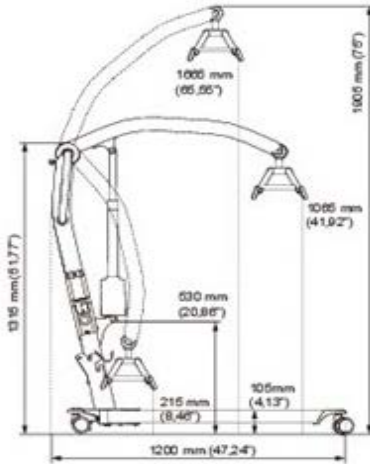


Account No. _____	Drop Ship: _____
Date: _____	Name: _____
P.O. Number: _____	Address: _____
Buyer: _____	City: _____
Marked For: _____	State: _____ Zip: _____
E Mail: _____	Tel.: _____ Fax: _____


Measurements



Features included in standard price

Foldable in one piece without using tools
Lifting Range 10.6" to 66.1"

4-point Suspension
Maximum User weight - 330 lbs

	Description	Part No.	Price
	Molift Smart 150	N10200	4,395 <input type="checkbox"/>

Accessories



Travel Suitcase (TSA Approved)

0990200

535



Travel Bag



N3049175

690

Replacement Battery

N0541000

195

U.S. Suggested Retail Price List

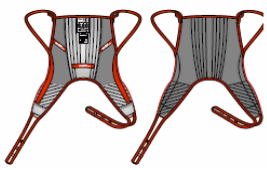
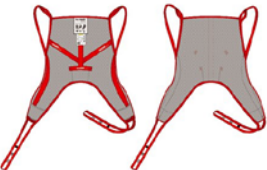

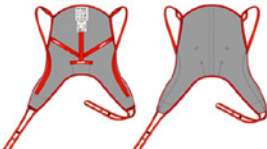

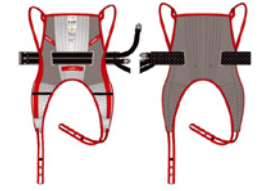
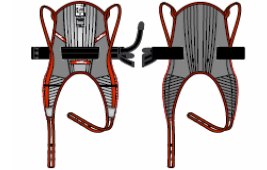

December 2015

Phone: 1-800-336-7684

Fax: 704-628-0125

www.R82.com

PO Box 1739 Matthews, NC 28106

Slings	Description	User Weight	Size	Part No.	Price	
	RgoSling MediumBack, Padded	37-55lbs	XS	N1720110	155	<input type="checkbox"/>
	RgoSling MediumBack, Padded	55-110lbs	S	N1720120	155	<input type="checkbox"/>
	RgoSling MediumBack, Padded	99-210lbs	M	N1720130	175	<input type="checkbox"/>
	RgoSling MediumBack, Padded	198-353lbs	L	N1720140	195	<input type="checkbox"/>
	RgoSling MediumBack, Net	26-37lbs	XXS	N1720300	125	<input type="checkbox"/>
	RgoSling MediumBack, Net	37-55lbs	XS	N1720310	130	<input type="checkbox"/>
	RgoSling MediumBack, Net	55-110lbs	S	N1720320	135	<input type="checkbox"/>
	RgoSling MediumBack, Net	99-210lbs	M	N1720330	145	<input type="checkbox"/>
	RgoSling MediumBack, Net	198-353lbs	L	N1720340	155	<input type="checkbox"/>
RgoSling HighBack padded 	RgoSling HighBack, Padded	37-55lbs	XS	N1720210	155	<input type="checkbox"/>
	RgoSling HighBack, Padded	55-110lbs	S	N1720220	165	<input type="checkbox"/>
	RgoSling HighBack, Padded	99-210lbs	M	N1720230	180	<input type="checkbox"/>
	RgoSling HighBack, Padded	198-353lbs	L	N1720240	205	<input type="checkbox"/>
RgoSling HighBack net 	RgoSling HighBack, Net	26-37lbs	XXS	N1720400	125	<input type="checkbox"/>
	RgoSling HighBack, Net	37-55lbs	XS	N1720410	130	<input type="checkbox"/>
	RgoSling HighBack, Net	55-110lbs	S	N1720420	140	<input type="checkbox"/>
	RgoSling HighBack, Net	99-210lbs	M	N1720430	150	<input type="checkbox"/>
	RgoSling HighBack, Net	198-353lbs	L	N1720440	165	<input type="checkbox"/>
	RgoSling Toilet, LowBack	26-37lbs	XXS	N1720500	195	<input type="checkbox"/>
	RgoSling Toilet, LowBack	37-55lbs	XS	N1720510	205	<input type="checkbox"/>
	RgoSling Toilet, LowBack	55-110lbs	S	N1720520	215	<input type="checkbox"/>
	RgoSling Toilet, LowBack	99-210lbs	M	N1720530	230	<input type="checkbox"/>
	RgoSling Toilet, LowBack	198-353lbs	L	N1720540	255	<input type="checkbox"/>
	RgoSling Toilet, HighBack	26-37lbs	XXS	N1720600	240	<input type="checkbox"/>
	RgoSling Toilet, HighBack	37-55lbs	XS	N1720610	240	<input type="checkbox"/>
	RgoSling Toilet, HighBack	55-110lbs	S	N1720620	275	<input type="checkbox"/>
	RgoSling Toilet, HighBack	99-210lbs	M	N1720630	340	<input type="checkbox"/>
	RgoSling Toilet, HighBack	198-353lbs	L	N1720640	350	<input type="checkbox"/>
	RgoSling Amputee, MediumBack	26-37lbs	XXS	N1721100	205	<input type="checkbox"/>
	RgoSling Amputee, MediumBack	37-55lbs	XS	N1721110	215	<input type="checkbox"/>
	RgoSling Amputee, MediumBack	55-110lbs	S	N1721120	220	<input type="checkbox"/>
	RgoSling Amputee, MediumBack	99-210lbs	M	N1721130	235	<input type="checkbox"/>
	RgoSling Amputee, MediumBack	198-353lbs	L	N1721140	270	<input type="checkbox"/>
	RgoSling Amputee, HighBack	26-37lbs	XXS	N1721200	210	<input type="checkbox"/>
	RgoSling Amputee, HighBack	37-55lbs	XS	N1721210	225	<input type="checkbox"/>
	RgoSling Amputee, HighBack	55-110lbs	S	N1721220	230	<input type="checkbox"/>
	RgoSling Amputee, HighBack	99-210lbs	M	N1721230	255	<input type="checkbox"/>
	RgoSling Amputee, HighBack	198-353lbs	L	N1721240	290	<input type="checkbox"/>
	RgoSling Comfort HighBack	55-110lbs	S	N1721420	130	<input type="checkbox"/>
	RgoSling Comfort HighBack	99-210lbs	M	N1721430	135	<input type="checkbox"/>
	RgoSling Comfort HighBack	198-353lbs	L	N1721440	145	<input type="checkbox"/>